

01

DCB 4.0 - the hardware

The DCB (Data Communication Box) 4.0 is delivered with:

- an active simcard with global coverage (option: international waters)
- combined GPS/LTE puck antenna 5 m
- DIN rail clip
- ethernet cable 1,5 m.

The main technical specifications:

- communication by 2G/3G and 4G
- GPS is standard available
- Ethernet/RS232/RS422/RS485 and 4IO
- 1 GB intern memory
- 6 leds for status indication
- complies with industry standards and CE/FCC certifications.



Plug & Play

- the DCB 4.0 is delivered plug & play (inclusive active simcard).
- this means that the DCB 4.0 is configured by us for the controller and peripherals you want to monitor. No need for programming the DCB 4.0.
- we can change the configuration remotely, if you decide to use a different controller, should that be desired (free of charge).
- after the DCB 4.0 is connected to the power supply and to the controller, a mobile connection is established, making the data immediately visible on the web portal.

Optional:

- VPN
- customized API connection
- Node-RED
- Canbus.





Cond Ref Pressure	188.6	kPa	C2 Cond Ref Pressure	765.9	kPa	Controller	Micro
Cond Sat Ref Temp	-0.3	°C	C2 Cond Sat Ref Temp	34.1	°C	ComSettings	RS48
Evap Ref Pressure	208.7	kPa	C2 Evap Ref Pressure	187.4	kPa	Outdoor Air Temperature	14.9
Evap Sat Ref Temp	1.6	°C	C2 Evap Sat Ref Temp	-0.4	°C	Active Capacity Lim Outp	100
Comp #1 Suct Ref Temp	17.8	°C	C2 Comp #1 Suct Ref Temp	4.5	°C	Active Setpoint	6
C1 Comp #1 Disch Ref Temp	46	°C	C2 Comp #1 Disch Ref Temp	55.8	°C	Actual Capacity	23
C1 Comp #1 Percent RLA	0	%	C2 Comp #1 Percent RLA	50	%	Alarm Digital Output	No Al
C1 Comp #1 Current	0	A	C2 Comp #1 Current	87	A	Chiller Voltage	385.3
C1 Comp #1 Voltage	0	Vac	C2 Comp #1 Voltage	0	Vac	Chiller Current	51
C1 Comp #1 Power	0	kW	C2 Comp #1 Power	24	kW	Cap Lim Setp - Netw	100
Chiller Starts	3347		C2 Comp #1 Starts	3704		Chill Mode Sp - Netw	Null
Chiller Run Hours	13753	Hrs	C2 Comp #1 Run Hours	13640	Hrs	Chiller Capacity Limited	Not L
Comp #1 Oil Feed Press	196.3	kPa	C2 Comp #1 Oil Feed Press	735.1	kPa	Chiller Enable Output	Enabl
						Chiller Local/Remote	Local
						Chiller Mode Output	Cool

02

Standard available functions

Alarms / alarm management

The alarm module allows you to create your own alarm conditions. You can:

- in addition to single alarm conditions, also set combined alarm conditions
- add a delay (the time that an alarm condition must meet before an alarm notification is sent)
- compose the text of the alarm notification yourself
- activate or deactivate alarm conditions (temporarily)
- select from the contact book the persons who should to receive the alarm notifications (via SMS, Telegram or by mail)
- simply copy alarm rules to other objects (subscriptions).

Evap Leav Fluid Temp > 0.0 °C or Chiller On/Off ≠ On or Alarm Digital Output ≠ No Al

General Advanced Condition Subscriptions

Alarm rule will go off when **one or more** conditions are met. Edit

EC550-MT3 » Evap Leav Fluid Temp > 0.0 °C ✎ ✖

EC550-MT3 » Chiller On/Off ≠ On ✎ ✖

EC550-MT3 » Alarm Digital Output ≠ No Alarm ✎ ✖

Add condition

User management

User management allows you to:

- create and manage user accounts
- specify which objects may be shown
- specify which reports an account may see or create
- specify the rights/permissions an user account has.

Group: 2 - Depots

Properties Users Objects Reports Permissions

Permissions

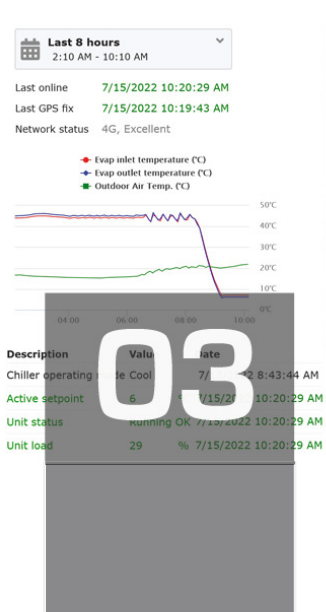
	0.1: Depot Ma...	0.0: Depot Ma...	1.0: S&M Sup...	1.1: S&M Sup...	2.0: S&M Engi...	2.1: S&M Engi...	3.0: Yard Bas...	3.1: Yard Bas...	4.0: Project F...	5.0: Logistics	5.1 Fleet plan...	6.0: Sales Su...	7.0: Custom...
» Management - VPN	✓	✓	✓	✓	✓	✓	✓	✓	✓	✓	✓	✓	✓
» Messages	✓	✓	✓	✓	✓	✓	✓	✓	✓	✓	✓	✓	✓
» Alert overview (custom)	✓	✓	✓	✓	✓	✓	✓	✓	✓	✓	✓	✓	✓
» Message - conditions	✓	✓	✓	✓	✓	✓	✓	✓	✓	✓	✓	✓	✓
» Advanced Message conditions	✓	✓	✓	✓	✓	✓	✓	✓	✓	✓	✓	✓	✓
» Create/Copy new message condition	✓	✓	✓	✓	✓	✓	✓	✓	✓	✓	✓	✓	✓
» Delete	✓	✓	✓	✓	✓	✓	✓	✓	✓	✓	✓	✓	✓
» Disable	✓	✓	✓	✓	✓	✓	✓	✓	✓	✓	✓	✓	✓
» Edit	✓	✓	✓	✓	✓	✓	✓	✓	✓	✓	✓	✓	✓
» Message Dispatch	✓	✓	✓	✓	✓	✓	✓	✓	✓	✓	✓	✓	✓
» Reports 3.0	✓	✓	✓	✓	✓	✓	✓	✓	✓	✓	✓	✓	✓
» Actions	✓	✓	✓	✓	✓	✓	✓	✓	✓	✓	✓	✓	✓
» Data Highspeed	✓	✓	✓	✓	✓	✓	✓	✓	✓	✓	✓	✓	✓
» Base right Sub-Objects	✓	✓	✓	✓	✓	✓	✓	✓	✓	✓	✓	✓	✓

Edit

Extensive reporting and analysis functions

Via the web portal you have extensive reporting and analysis functions:

- all data collected by the DCB 4.0 will be stored for at least 1 year
- data can be displayed on the screen
- data can be exported in Excel, PDF or Word format.



Other functions available as standard

Available functions:

- mobile web app available
- for some controllers the eventlog and alarmlist are available (depending on controller)
- time zones per account
- geofencing per object/machine
- besides SMS and email now also Telegram available for alarm notifications
- indication of GPS and mobile signal strength
- adjustable alarm if connection is lost for more than x minutes
- function "show route", to see the movement of a machine over a selected period in time.
- "Data High Speed" function. By activating this function, for a limited period of e.g. 30 minutes, data is collected and transmitted at a high frequency.

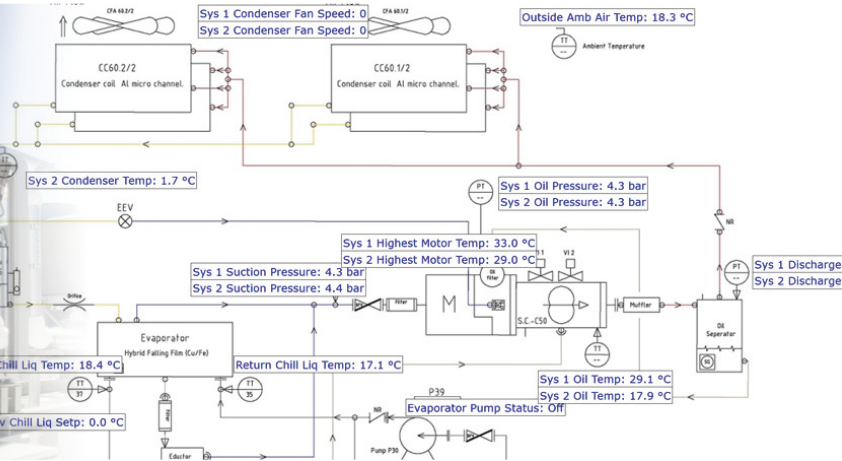
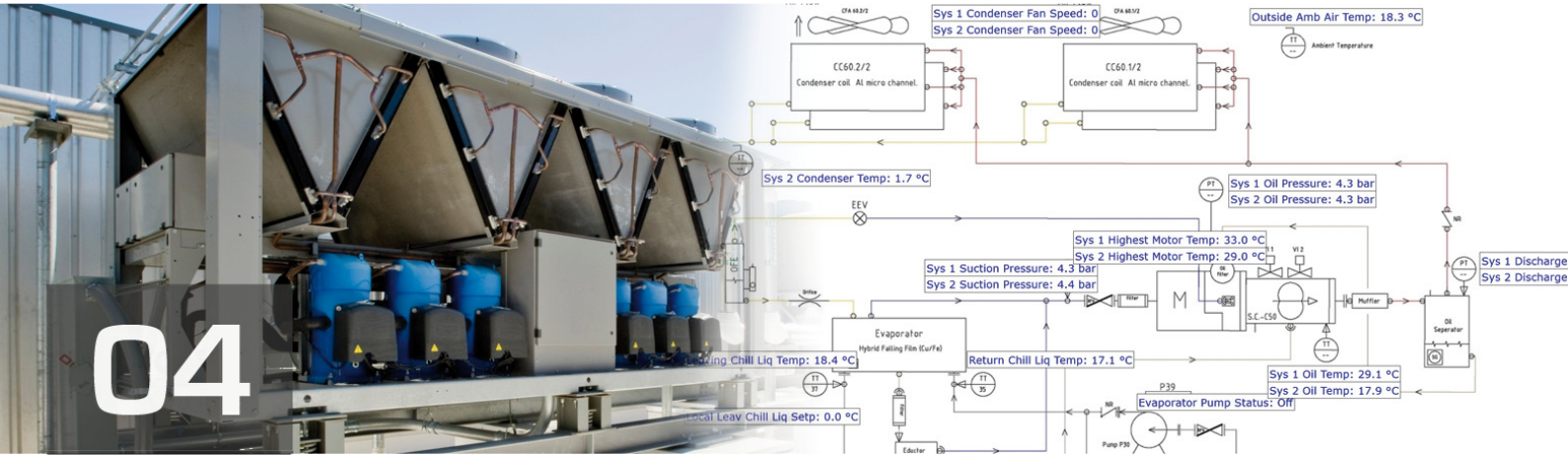
Options:

- the web portal can be offered in your company's look-and-feel. The complete remote monitoring system (hardware and web portal) can also be offered as OEM/branding
- VPN is available. A secure connection can easily be established via the web portal
- in addition to sim cards for "normal" use, we also supply sim cards with a data bundle for high data consumption as required for VPN or sim cards for use in international waters.
- AI module allowing prediction of expected machine behaviour based on historical data.

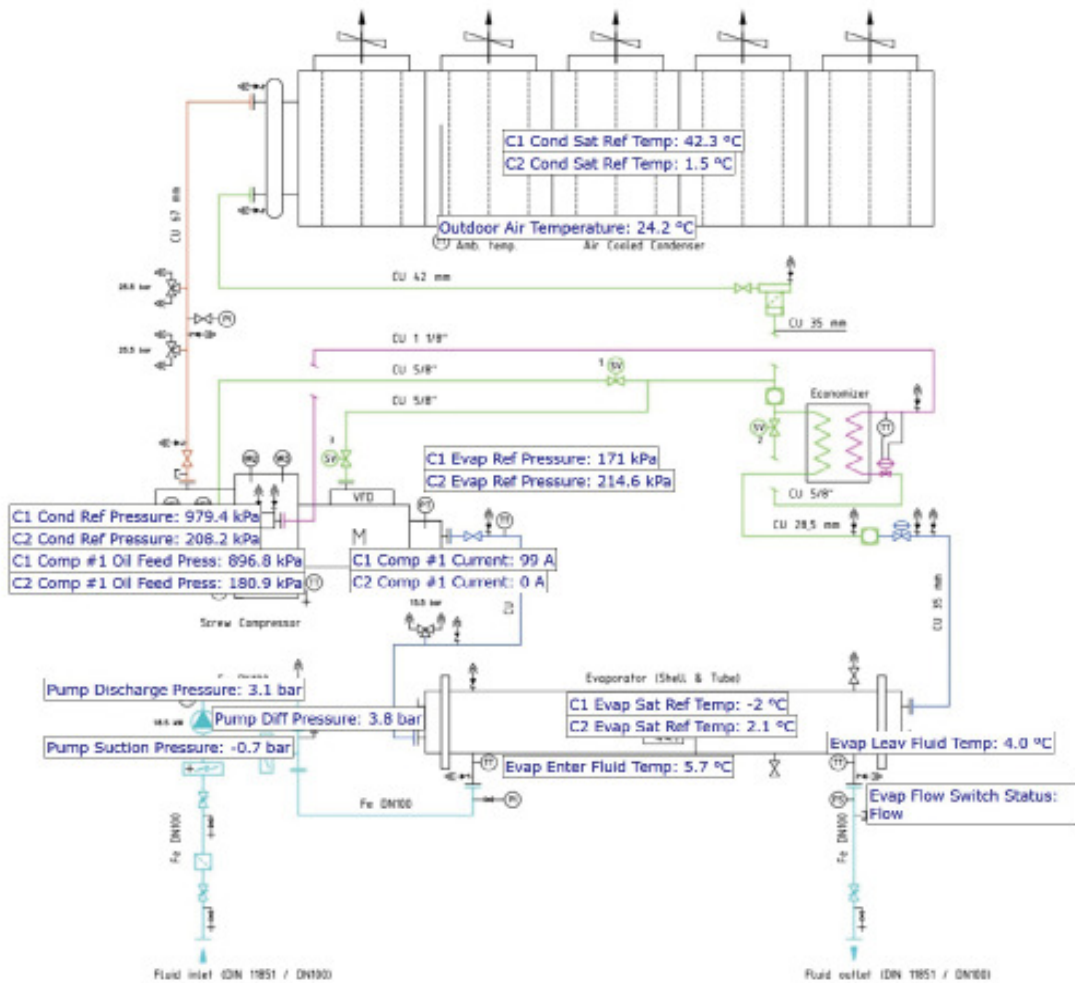
Projects

The purpose of the module Projects is that resources can be pooled.

- several machine/objects can be assigned to a project.
- after a status change in the project, the applicant/requestor of a project is automatically informed.
- all persons involved in the project receive a link to a protected part of the web portal and can quickly retrieve the latest status (also mobile).
- after completion of the project, all data can be easily aggregated from the machines deployed.



P&ID - Piping and instrumentation diagram



Real time the screen displays the actual values of the data points being monitored. The diagram is supplied by you, indicating at which position a datapoint is to be presented.

Questions?

Contact us for a demonstration or take a look on our website www.remotemonitoringgenset.com.